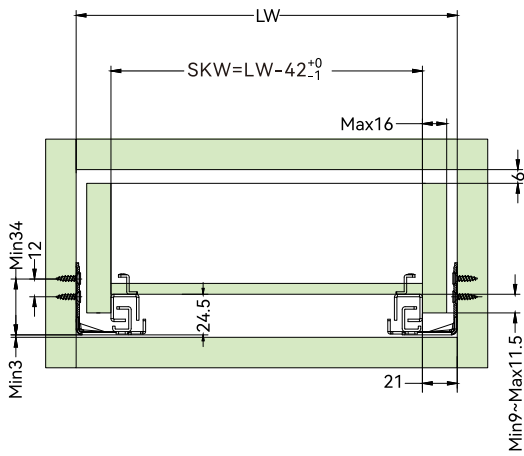


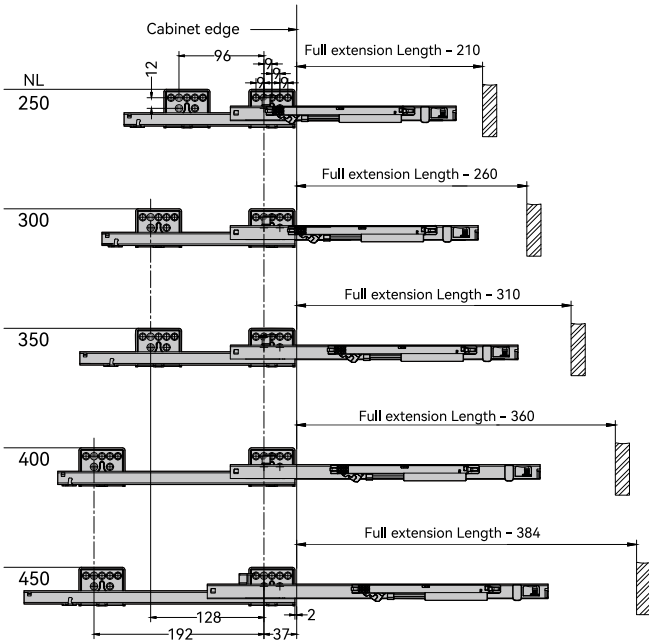
# TWO-SECTION FULL EXTENSION PUSH OPEN ASSEMBLY INSTRUCTION

Load capacity: 20Kg  
 Length: 250–450mm  
 Drawer height adjustment: 0~+3mm

Installation dimensions(mm)  
 SKW = Internal drawer width  
 LW = Internal cabinet width



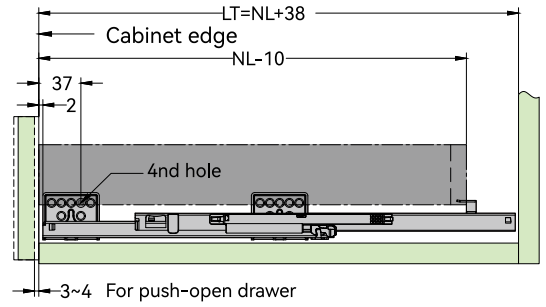
Screw positions of the slides(mm)



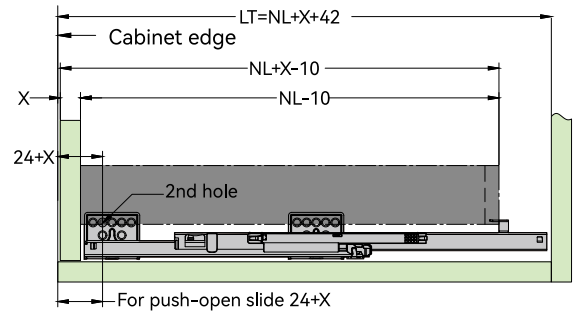
At least one screw for upper holes and one screw for down holes.

At least one screw for upper holes and one screw for down holes.

Installation Dimensions(mm)  
 NL = Slide length  
 LT = Internal cabinet depth



Standard drawer



Internal drawer

## Drawer size and drilling (mm)

NL(mm)	250	300	350	400	450
Pins hole A(mm)	65	90	95	120	135
Height adjustment hole B(mm)	45	70	75	100	115

